

ATTACHING THE LADDER ON WOOL/URETHANE PANEL WALL

1. Picture of the product

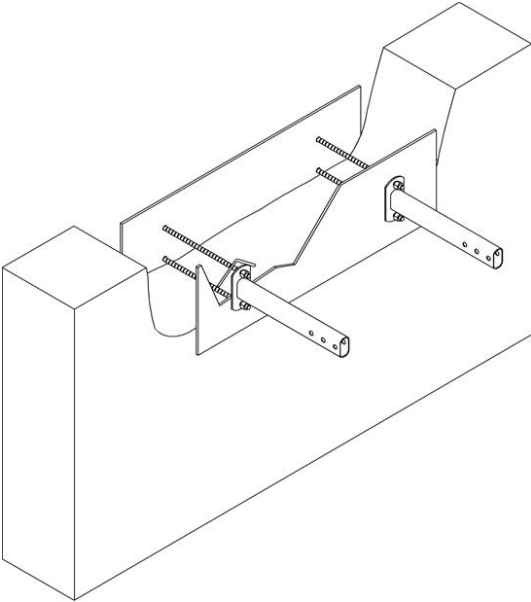


Figure 1. Illustrative photos

2. Product description

- Two attachment plates are used for attaching the ladder on wool/urethane panel wall, by bolting through with M8 stainless steel bars as shown in the figure.
- Sealing tape or sealant compound is placed above the lead-through in the shape of a ridged roof.
- The purpose of the sealing is to steer any water away from the through-bolting holes that might come between the plate and the wall.