

SNOW GUARD AND ROOF WALKWAY FIXTURE FOR LOAD-BEARING ROOFING PROFILES

1. Picture of the product

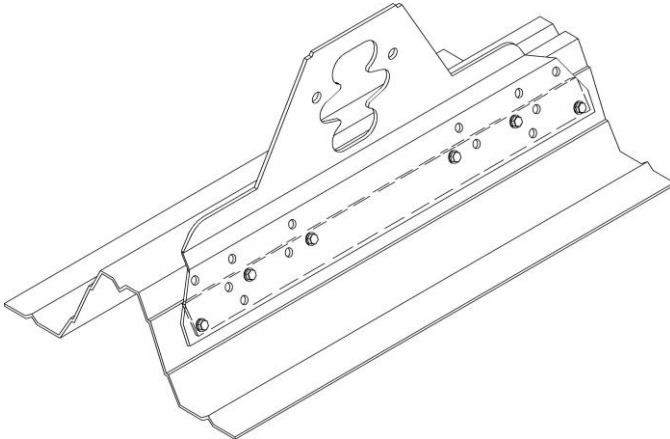


Figure 1. Snow guard and roof walkway fixture

2. Product description

The fixture of the roof walkway and snow guard is attached on the side of the load-bearing profiles to bring the snow guard tubes as close to the roof surface as possible. The distance between roof battens is usually longer in load-bearing profiles, which makes it difficult to use normal fixtures. Normal fixtures are only suitable for roof batten distances of 350 or 400 mm.

A sealing strip is glued on the fixtures where the screws are placed to prevent any leaks. We recommend using 7 * 40 mm HVAC screws. Self-drilling screws 6.3 x 25 mm may also be used. The number of screws is selected according to the profile material thickness:

S = 0.6 mm	8 pcs./fixture
S = 0.7–0.8 mm	6 pcs./fixture
S = over 0.8 mm	5 pcs./fixture

Recommended use of snow guard with a snow load of 180 kg/m²

Maximum roof plane lengths, m

Maximum roof plane length above the snow guard (m)						
Angle (°) and slope ratio of the roof	Distance between snow guard fixtures (m)					
Snow load on the roof 1.8 kN/m ² (2.6 kN/m ²)						
	0.5 m	0.6 m	0.75 m	0.9 m	1.0 m	1.2 m
< 15°, (1:3.7)	21.4 (15.0)	17.9 (12.5)	14.3 (9.9)	12.0 (8.3)	10.7 (7.4)	9.0 (6.2)

PRODUCT CARD**NESCO**

15...22°, 1:3.7...1:2.5	11.4 (8.0)	9.5 (6.6)	7.6 (5.3)	6.3 (4.4)	5.7 (4.0)	4.8 (3.3)
22...27°, 1:2.5...1:2	8.4 (5.8)	7.0 (4.8)	5.6 (3.9)	4.7 (3.3)	4.2 (2.9)	3.5 (2.4)
27...37°, 1:2...1:1.3	7.4 (5.2)	6.2 (4.3)	4.9 (3.4)	4.1 (2.8)	3.7 (2.6)	3.1 (2.1)
37...45°, 1:1.3...1:1	9.0 (6.2)	7.5 (5.2)	5.9 (4.1)	5.0 (3.5)	4.5 (3.1)	3.7 (2.6)

Fixture types for different profiles**Roofing type****Fixture type**

Rannila 45J A	KL3 RAN45-70 ks/le side fixture
Rannila 45J B	"
Rannila 45J R	"
Rannila 45 A	"
Rannila 45 B	"
Rannila 45 R	"
Ruukki T45	"
Plannja Hovi 45	"
Weckman W-45JR	"
Weckman W-45JA	"
Rannila 70 all types	"
Ruukki T70	"
Weckman W-70	"
Rannila 45 EA	KL3 RAN45-70E ks/le side fixture (different angle, approx. 133°)
Rannila 45 EB	"
Plannja Hovi 45ER	"
Plannja Hovi 45EV	"
Weckman W-45E	"
Weckman W-45ER	"
Plannja 70	KL3 RAN45-70E ks/le side fixture (different angle, approx. 108°)
Rannila 113 all types	KL3 RAN113-120 ks/le side fixture
Rannila 120 all types	"
Ruukki T130	"
Plannja 111/111M	"
Weckman W-115	"
Weckman W-130	"
Rannila 153 all types	KL3 RAN153 ks/le side fixture
Ruukki T153	"
Weckman W-155	"