

HOW TO ATTACH THE GUTTER FIXTURES TO THE EAVES

1. Attaching the standard metal multi-tile roofing, corrugated steel roofing, tile roofing and standing seam roofing fixture

These figures show how to attach the external gutter fixtures on different kinds of eaves. The fixtures are suitable for the rectangular K13 and the half-round P13 and P15 fixtures. The thickness of the support bargeboard is 22 mm.

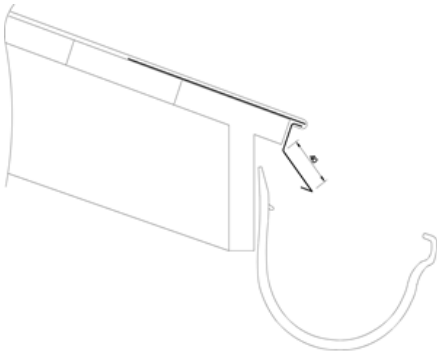


Figure 1. Vertical bargeboard (standing seam roof) (principle)

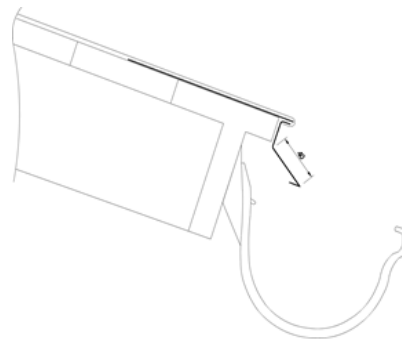


Figure 2. Slanted bargeboard

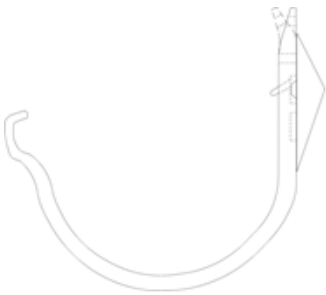


Figure 3. Bargeboard slanted 1:5–1:1.5 attached with normal or steep background support background support

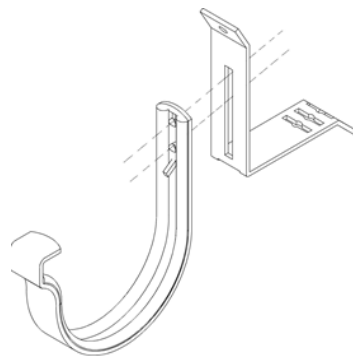


Figure 4. Bargeboard slanted 1:1 attached with 45 degree

**2. Eaves without a bargeboard – fixture attachment methods
(usually a mechanically locked standing seam or Classic roof)**

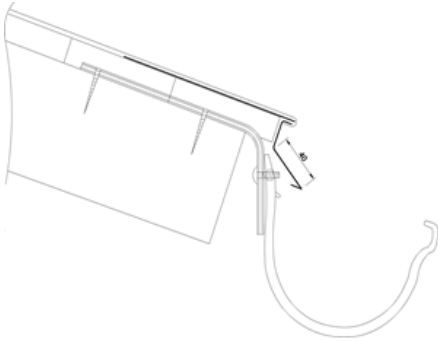


Figure 5. With a tail hook

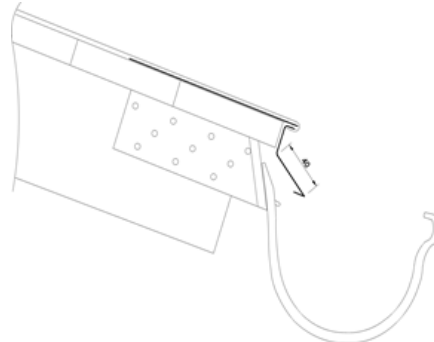


Figure 6. With a roof truss side fixture

3. Fixture attachment on a mansard roof (bargeboard almost horizontal)

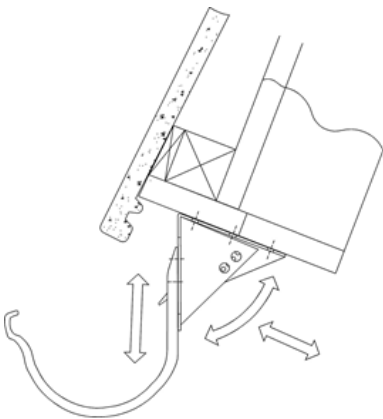


Figure 7. The adjustable background support for a mansard roof can be used when the bargeboard is vertical (66–103 degrees)



Figure 8. Illustrative photo

4. Attaching the fixture in the case of load-bearing corrugated steel roofing without a bargeboard

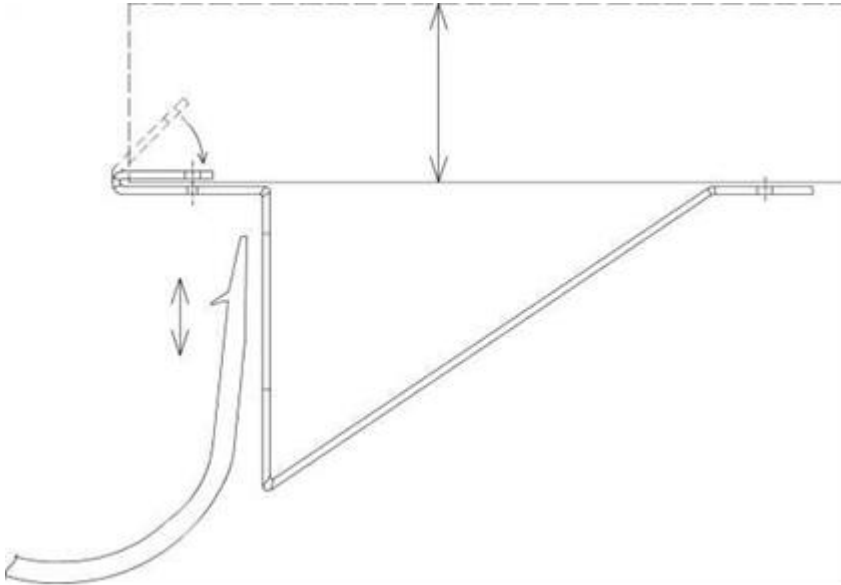


Figure 9. Attaching the fixture on load-bearing corrugated steel roofing