

HORIZONTAL RAIL

1. Picture of the product



Figure 1. Horizontal rail on a roof walkway rail and horizontal carriage

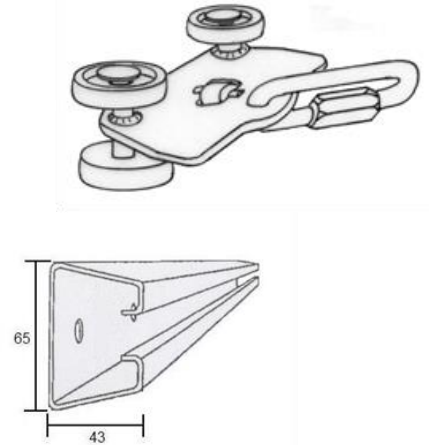


Figure 2. Horizontal

2. Product description

The length of the horizontal rail is 3 or 6 m, and it can be shortened or extended as necessary. The maximum weight of the horizontal rail system user, including equipment, is 100 kg. The system may be used by one person at a time over a distance of six metres. The horizontal rail can be attached on the roof walkway or directly on the roof or wall using its own fixtures.

In buildings with more than 2 storeys, a roof access walkway must be fitted with a safety rail or an open handrail when the roof pitch is 1:1.5 or steeper. In the case of an apparent, higher than usual risk of falling from lower pitch roofs, using a safety rail or an open handrail can be required in the high-risk part of the roof (Nat. Building Code F2).

No harmonised standard exists for the horizontal rail, but it meets the requirements of the expired SFS-EN 795.