

GROOVE STOPS FOR SNOW GUARDS

1. Picture of the product

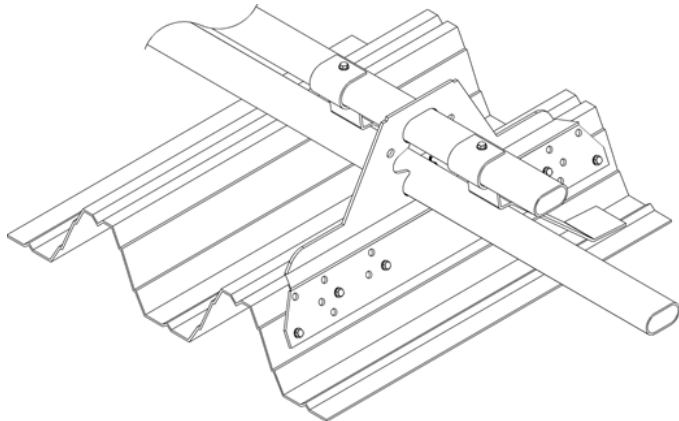


Figure 1. Groove stop for snow guard

2. Product description

Groove stops are used to prevent the sliding of snow and ice floes under the snow guard in the load-bearing profiles. The groove stops are attached to the upper snow guard tube using 6.3 x 19 mm self-drilling screws. The groove stop doesn't touch the roof surface, allowing water and debris to run underneath the groove stop. Groove stops are also available for snow guard profile LP3. Place one groove stop in each groove. We recommend placing a smooth plastic stud into the hole at the bottom of the groove stop to prevent the roof from becoming scratched.

Number of groove stops needed:

Corrugated steel roofing	number of stops/m
RAN 45	approx. 6.8 pcs./m
RUUKKI T45	approx. 6.7 pcs./m
RAN 45 J	approx. 6.6 pcs./m
RAN 45 E	approx. 5.0 pcs./m
RAN 70/RUUKKI T70	approx. 4.8 pcs./m
RAN 113	approx. 4.1 pcs./m
RAN 120	approx. 4.4 pcs./m
RUUKKI T130	approx. 3.3 pcs./m
RAN 153/RUUKKI T153	approx. 3.6 pcs./m
PLANNJA HOVI 45 A	approx. 6.8 pcs./m
PLANNJA HOVI 45 B	approx. 6.8 pcs./m
PLANNJA HOVI 45 R	approx. 6.8 pcs./m
PLANNJA HOVI 45 ER	approx. 4.0 pcs./m
PLANNJA HOVI 45 EV	approx. 4.0 pcs./m

PRODUCT CARD**NESCO**

PLANNJA HOVI 70	approx. 4.8 pcs./m
PLANNJA HOVI 111/111M	approx. 4.8 pcs./m
WECKMAN W-45 ER	approx. 5.0 pcs./m
WECKMAN W-45 E	approx. 5.0 pcs./m
WECKMAN W-45 JR	approx. 5.6 pcs./m
WECKMAN W-45 JA	approx. 5.6 pcs./m
WECKMAN W-70	approx. 4.5 pcs./m
WECKMAN W-115	approx. 4.0 pcs./m
WECKMAN W-130	approx. 3.1 pcs./m
WECKMAN W-155	approx. 3.4 pcs./m