

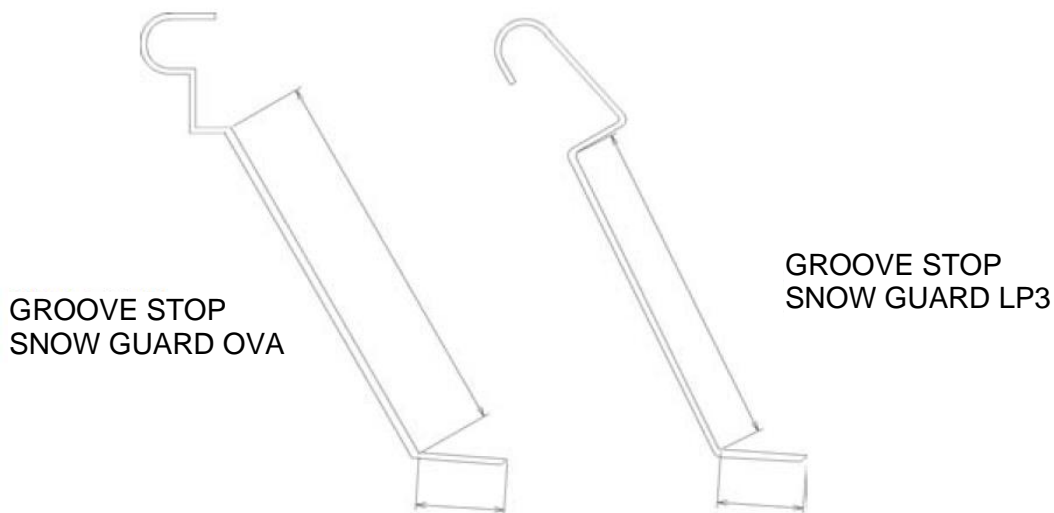
Groove stop for a snow guard

1. Planning

- Groove stops are used on profile roofs where the groove height is 70 mm or more.
- One groove stop is placed in each groove.
- The groove stops of these instructions are suitable for use with Rannila's load-bearing profile roofing when the snow guard has been fixed from the side. They can also be used with load-bearing profile roofing of other manufacturers.

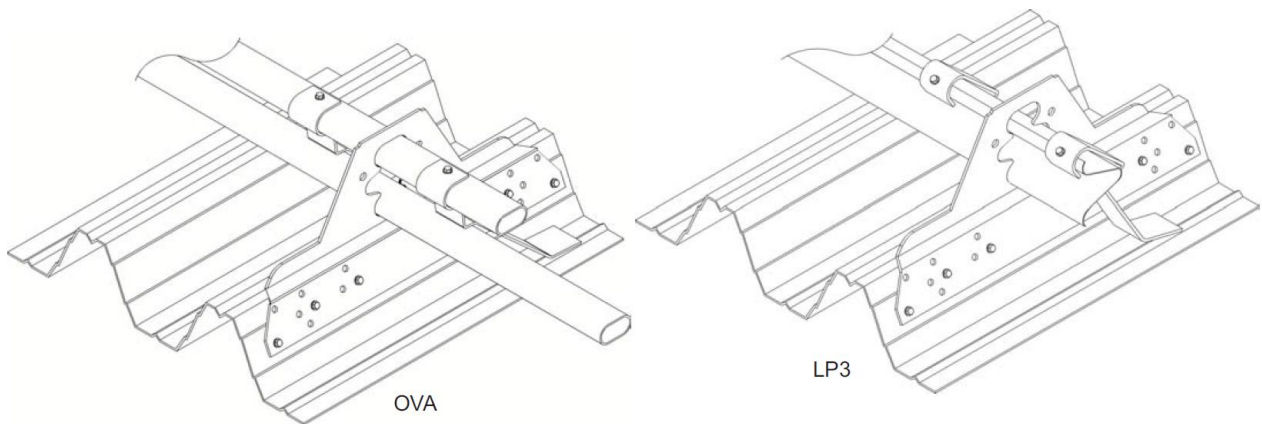
2. Dimensions and dimensioning of groove stops

- Choose the groove stop from the table below according to the profile and the snow guard type.



Load-bearing profile type	Side fixture and oval tubes	L1	L2	Side fixture and LP3 profile snow guard	L1	L2
RAN 45	groove stop RAN 45/OVA	90	60	groove stop RAN 45/LP3	109	63
RAN 70	groove stop RAN 70/OVA	115	28	groove stop RAN 70/LP3	138	35
RAN 113	groove stop RAN 113/OVA	162	53	groove stop RAN 113/LP3	182	52
RAN 120	groove stop RAN 120/OVA	170	45	groove stop RAN 120/LP3	190	44
RAN 153	groove stop RAN 153/OVA	216	40	groove stop RAN 153/LP3	236	38

3. Parts of the product



4. Installation

1. Put the groove guards in their places. Note that the groove stop may not touch the bottom of the profile.
2. Ensure that the groove stop is placed in the middle of the groove.
3. Attach the groove stop to the top oval tube or LP3 snow guard profile with one 6.3 x 25 mm self-drilling screw.