

Balcony drainage systems

Our balcony drainage systems are tested and approved, and they meet the EI60 fire rating requirements. The system is certified, certificate no. VTT-C-10518-13.

Products for construction and renovations

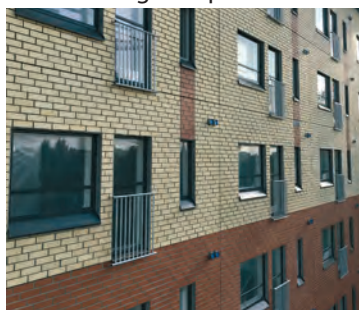
- Balcony drains for new buildings
- Balcony drains for renovations
- Balcony piping systems
- Pipe shoes and roof drains fitted with flanges
- Firestops for balcony drains
- Dry riser piping
- Partsi racks
- French balcony railings

Characteristics

- made of stainless steel
- easy and fast installation
- strong and tight without any formwork or grouting
- installation before surfacing (installation afterwards also possible)
- compatible with different types of balcony piping
- drainage systems are also suitable for wooden balcony solutions
- the balcony drains are designed to last over 50 years of use

NESCO balcony piping

- no attachment to the wall needed on balconies
- powder-coated products, various colour options
- easy installation and maintenance
- Partsi airing rack products can always be used



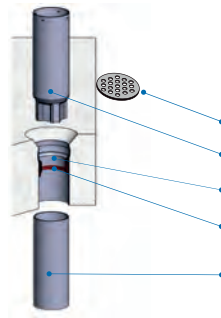
French balcony railing

- railing and its fixtures are made of hot-dip galvanised steel
- the standard railing can be used for balcony door widths of 900 mm or smaller
- durable even in demanding conditions thanks to the powder-coated surface



VEK BALCONY DRAIN WITH FIRESTOP

This is the most commonly used drain type used in new buildings and new balcony systems. The balcony drain is installed on the factory, or it can be cast on site. **The balcony piping system meets the EI60 min fire resistance requirements. The drain is designed as compatible with \varnothing 73 mm balcony pipe systems.**



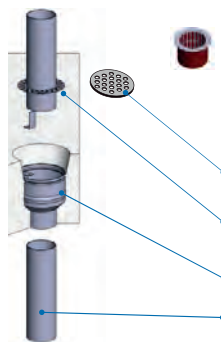
Pat. No. 119890 Utility model U20070280

Stainless steel balcony drain

- Strainer cover (top balcony)
- Strainer sleeve (intermediate balconies)
- The standard lengths of the balcony drain are 150, 170 and 200 mm
- A firestop that blocks the drain in case of fire
- Balcony pipe

RPM BALCONY DRAIN

Used in new construction and new balcony systems where the balcony drain is installed on the factory, or it can be cast on site. **The drain is compatible with balcony piping systems of \varnothing 50, \varnothing 73 and \varnothing 98 mm.**



Pat. appl. No. 20135119

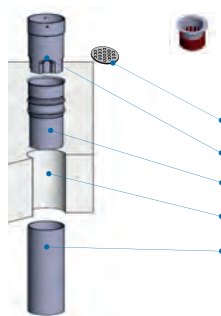
The RPM balcony drains can be fitted with separate firestops.

The balcony drain and strainers are made of stainless steel

- Strainer cover (top balcony)
- Strainer ring (intermediate balconies)
- Drain section: standard balcony drain lengths 140 and 170 mm
- Balcony pipe

RPD RENOVATION DRAIN

Used in renovations of balcony slabs to renew the drainage system. The balcony drain is installed into the diamond drilled installation hole without any formwork or grouting. It can also be installed after the surface coating has been installed. **The drain is designed as compatible with \varnothing 73 mm balcony pipe systems.**



The RPD renovation drains can be fitted with separate firestops.

Stainless steel balcony drains

- Strainer cover (top balcony)
- Strainer sleeve (intermediate balconies)
- Balcony drain
- Diamond drilled hole \varnothing 77 or 82 mm
- Balcony pipe

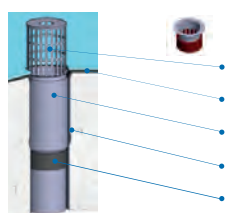
RPH PIPE SHOE DRAIN 100/50 (75/50)



The RPH pipe shoe drains can be fitted with separate firestops. The drain element of the pipe shoe is installed at the prefabricated element factory. The drain element is easy to attach to the balcony mould using a round sleeve that the drain is pressed on. The drainage pipe from the drain extends to the edge of the balcony slab or slightly protrudes from the slab. The pipe, therefore, does not cause any hindrance during moving, storage and installation. The pipe shoe and the strainer are fitted at the construction site. The drainer is placed onto the drain. The shoe pipe fits tightly to the drain. Glue is applied on the outer rim of the shoe pipe, and the pipe is installed on the drain.

RPC ROOF DRAIN

Used on balcony roofs when the drainage starts from the roof of the highest balcony. The roof drain is fitted afterwards into a diamond drilled installation hole or a void left in the element at the factory. **The drain is compatible with balcony piping systems of \varnothing 50, \varnothing 73 and \varnothing 98 mm. Other sizes available by order.**

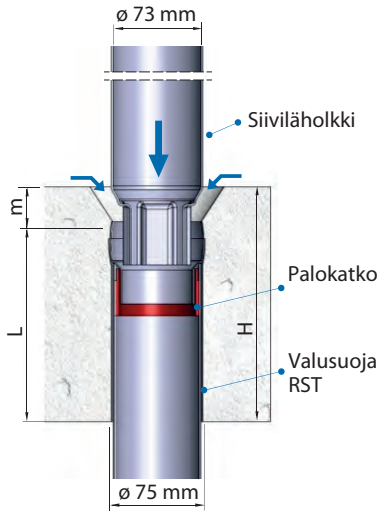


The RPC balcony drains can be fitted with separate firestops.

- Stainless steel vertical strainer
- Waterproofing flange \varnothing 400 mm, primed
- Roof drain frame acidproof steel or CU
- \varnothing 52, \varnothing 77 tai \varnothing 102 mm lead-through sleeve
- Firestop

Firestop is also available for the RPC roof drains. Pat. appl. No. 20136198.

Temperature increase in the base membrane can be prevented by using a firestop between the lead-through sleeve and the frame section.



VESIVEK-BALCONY DRAIN WITH FIRESTOP	Slab thickness H	Drain length L	Splash pit m	Maximum water groove length, slope 1:100
VEK-82/ 73/ 150	220	150	70	- 5,000
VEK-82/ 73/ 150	230	150	80	- 6,000
VEK-82/ 73/ 150	240	150	90	- 7,000
VEK-82/ 73/ 170	250	170	80	- 7,000
VEK-82/ 73/ 170	260	170	90	- 7,000
VEK-82/ 73/ 200	270-	200	70	- 7,000

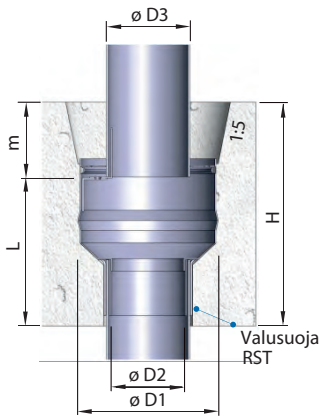
Special sizes available according to the structural requirements.

Product code

VEK stainless steel 82 / 73 / EI60 / 150 mm

If the water groove length is over 7,000 mm, we recommend using two drains in the floor.

- Drain length
- Fire compartmentation
- Balcony piping size
- Outer diameter of the drain
- Drain type



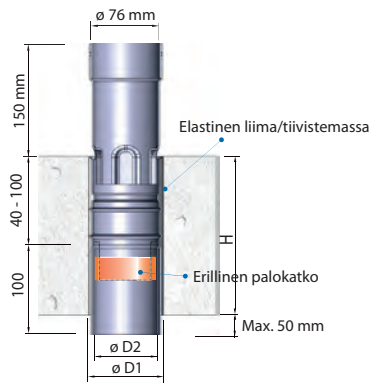
RPM BALCONY DRAIN	D1	D2	D3	Slab thickness H	Drain length L	Splash pit m	Water groove length
RPM-102/ 50/ 140	102	46	50	200	140	60	- 5,000
RPM-102/ 50/ 170	102	46	50	210	140	70	- 6,000
RPM-122/ 73/ 140	122	69	73	220	140	80	- 7,000
RPM-122/ 73/ 170	122	69	73	230	170	60	- 5,000
RPM-145/ 98/ 140	145	93	100	240	170	70	- 6,000
RPM-145/ 98/ 170	145	93	100	250	170	80	- 7,000

Product code

RPM 122 / 73 / 140 mm

Special sizes available according to the structural requirements.

- Drain length
- Balcony piping size
- Outer diameter of the drain
- Drain type



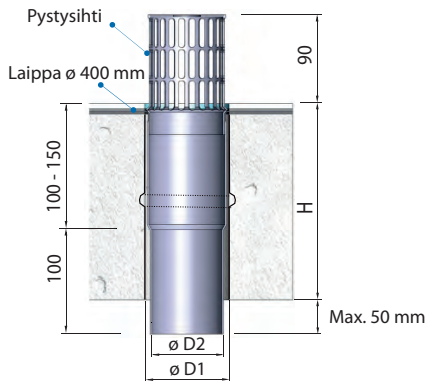
RPD RENOVATION DRAIN	D1	D2	Slab thickness H
RPD-77/ 73/ 140	77	69	90-140
RPD-77/ 73/ 180	77	69	130-180
RPD-77/ 73/ 200	77	69	150-200
RPD-82/ 73/ 200	82	69	150-200
RPD-82/ 73/ other	82	69	

Product code

RPD 77 / 73 / 200 mm

Special sizes available according to the structural requirements.

- Drain length
- Balcony piping size
- Diamond drilled hole ø
- Drain type



RPC ROOF DRAIN	D1	D2	Slab thickness H
RPC-52/ 50/ 200	52	47	150-200
RPC-52/ 50/ 250	52	47	200-250
RPC-77/ 73/ 200	77	69	150-200
RPC-77/ 73/ 250	77	69	200-250
RPC-102/ 98/ 250	102	93	200-250

Product code

RPC 77 / 73 / 200 mm

Special sizes available according to the structural requirements.

- Drain length
- Balcony piping size
- Diamond drilled hole ø/void in the element
- Drain type

FIRESTOP

A separate firestop is available for the RPM drains, RDP renovation drains and flanged RPC roof drains. Combining our balcony drains (with a separate firestop, if necessary) with our balcony piping forms a system that will resist fire for up to 60 minutes, i.e. keeping the temperature elevation on the balcony at less than + 180 degrees.

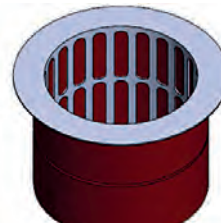
Certificate No. VTT-C-10518-13 for RP-Systems drains, piping and pipe sections.

DRAIN TYPE	BALCONY PIPING			
	ALUMINIUM ø mm			STAINLESS STEEL
	50 mm	73 mm	98 mm	All
VEK	–	60	–	60
RPM	•	•	•	60
RPM + FIRESTOP	•	60	60	60
RPD	–	•	–	60
RPD + FIRESTOP	–	60	–	60

EI60 min
 – Product not available
 • No fire test has been performed



Firestop for ø 50–73 balcony drains



Firestop for ø 98 mm balcony drains

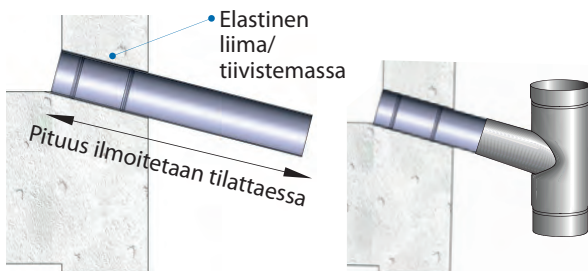


An expanded firestop in an RPM-122/73 drain.

OUR BALCONY PIPING SYSTEM MEETS THE EI60 REQUIREMENTS.

PIPE SHOE

Can be used when water is led directly out from the balcony. The pipe shoe is installed into a diamond drilled hole. The pipe tightens and attaches to the concrete structure without any formwork or grouting. RP fixing technology is used in the pipe shoes. The RPE pipe shoe can be attached to external downpipe structures with Y connectors.



Standard codes dimensions/product

RPE 52 / 50 / length mm

RPE 77 / 73 / length mm

Pipe diameter ø
 Diamond drilled hole ø
 Drain type

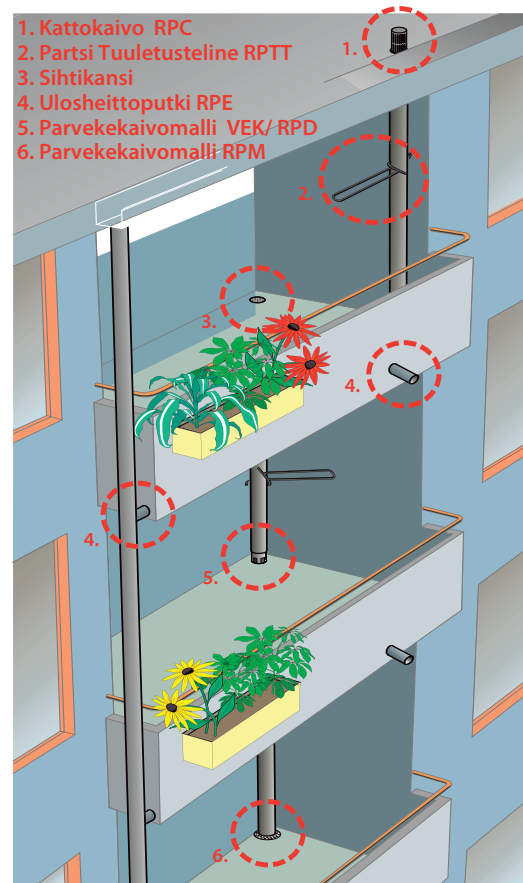
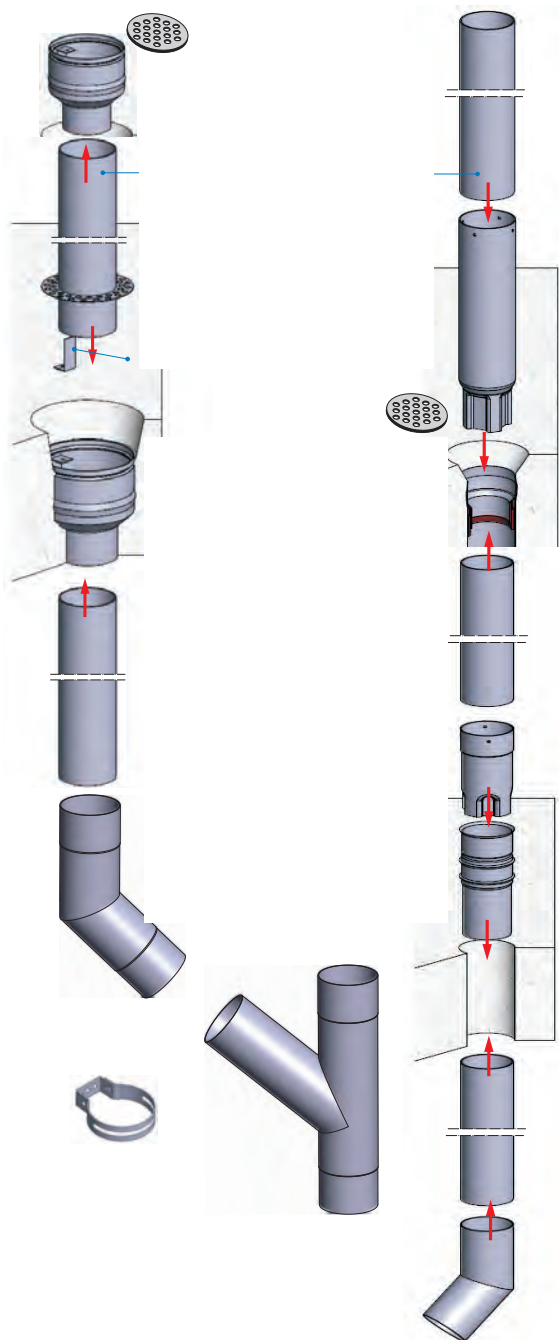
Non-standard dimensions are available according to project-specific requirements.

STAINLESS STEEL RAINWATER DRAIN

A stainless steel rainwater drain is a finished and stylish product that can be used for all the same purposes as a plastic rainwater drain. A stainless steel rainwater drain is especially well suited for yards that will be paved with asphalt where a plastic drain is not durable enough or does not fit the style of the facade.

The drain's outer diameter is 295 mm. The drain's outlet pipe can be made of ø 89 mm or ø 102 mm pipe so that the outlet pipe fits tightly into a flexible rainwater pipe or a ø 110 mm sewer pipe. Different kinds of strainers are available for the drains, and the drains can also be fitted with anti-freeze cabling.



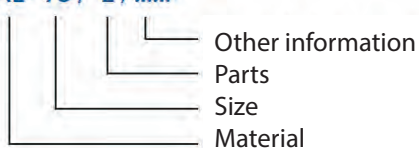


MATERIALS AND COLOURS
Certificate No. VTT-C-10518-13

PIPING	RST	AL
ø 50 mm	•	•
ø 73 mm	•	•
ø 98 mm	•	•
COLOURS		
-	•	
White 9010 RR 20		•
Grey 7004		•
Graphite 7024 RR 23		•
AVAILABLE		
RR- ja RAL- COLOURS		•

Product code

AL- 73 / 2 /



FREEZING PREVENTION

Balcony piping may freeze during the cold seasons. We always recommend installing anti-freeze cabling in the balcony piping system and in particular when water from the balcony roofs is led into the system. Our warranty does not cover damage due to freezing or other natural phenomena, such as heavy rain.

Dry riser pipes can be attached directly on the wall or, using additional support parts, to the wall ladder. The top and bottom of the pipe must be supported properly. The lowest feet of the ladder must be attached to the plinth. The length of the dry riser piping is dimensioned on a case-by-case basis.

The maximum length of individual pipe is 6,000 mm. Pipes longer than that are equipped with connections that facilitate the installation and transport of the pipes.

Accessories for dry riser piping:

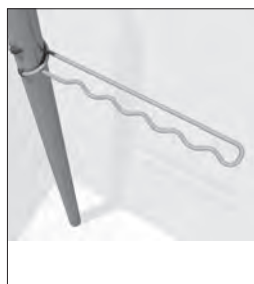
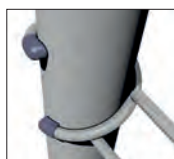
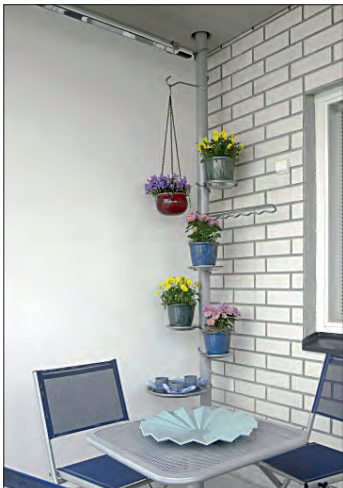
- shutoff valve down
- shutoff valve up
- additional support parts for the ladder

The shutoff valves speed up and increase the efficiency of the fire department's work in case of fire.



SYSTEM ACCESSORIES, PARTSI AIRING RACK

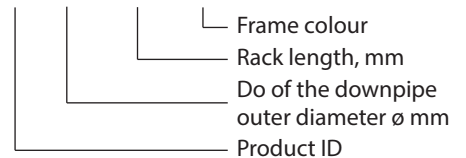
NO FITTING TO THE WALL STRUCTURES NECESSARY.



Product name Partsi airing rack

Product code

RPTT- 73 / 500 / silver grey



The Partsi racks are attached to the balcony pipe. The products are fixed around the pipe with a pipe clamp. No tools are required for installation. Compatible with \varnothing 73/75 and \varnothing 98/100 mm balcony piping. The frame material is \varnothing 10 mm round steel. Standard colour: powder coated RAL 9006 silver grey. Other colours available to order.