

SAFETY BARRIER

1. Picture of the product

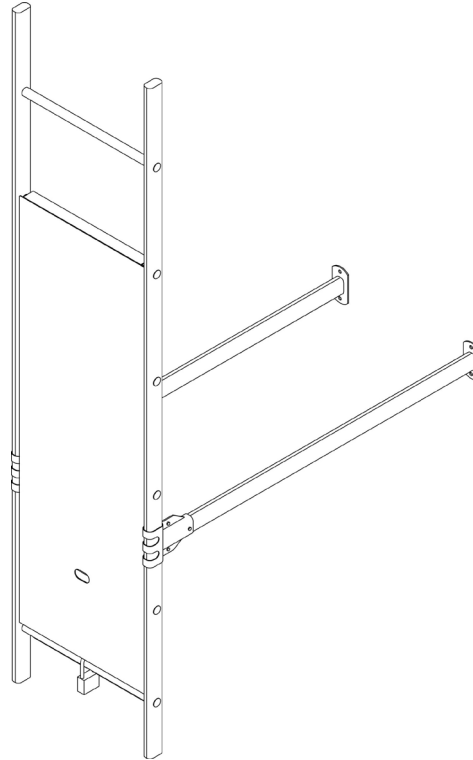


Figure 1. Safety barrier

2. Product description

Safety barriers are usually used at day-care centres, schools and other public buildings where unauthorised people climb on the ladder. The height of the safety barrier is 1,250 mm, and although it does not prevent climbing the ladder completely, it makes it considerably more difficult. In addition, the lowest feet can be installed higher than usual.

The safety barrier can be used for ladders with a free internal width of 400 mm, rung distance of 300 mm and diameter of 22–25 mm.

The safety barrier can also be locked with a separate lock included in the building's key system. The lock is not included in the delivery.